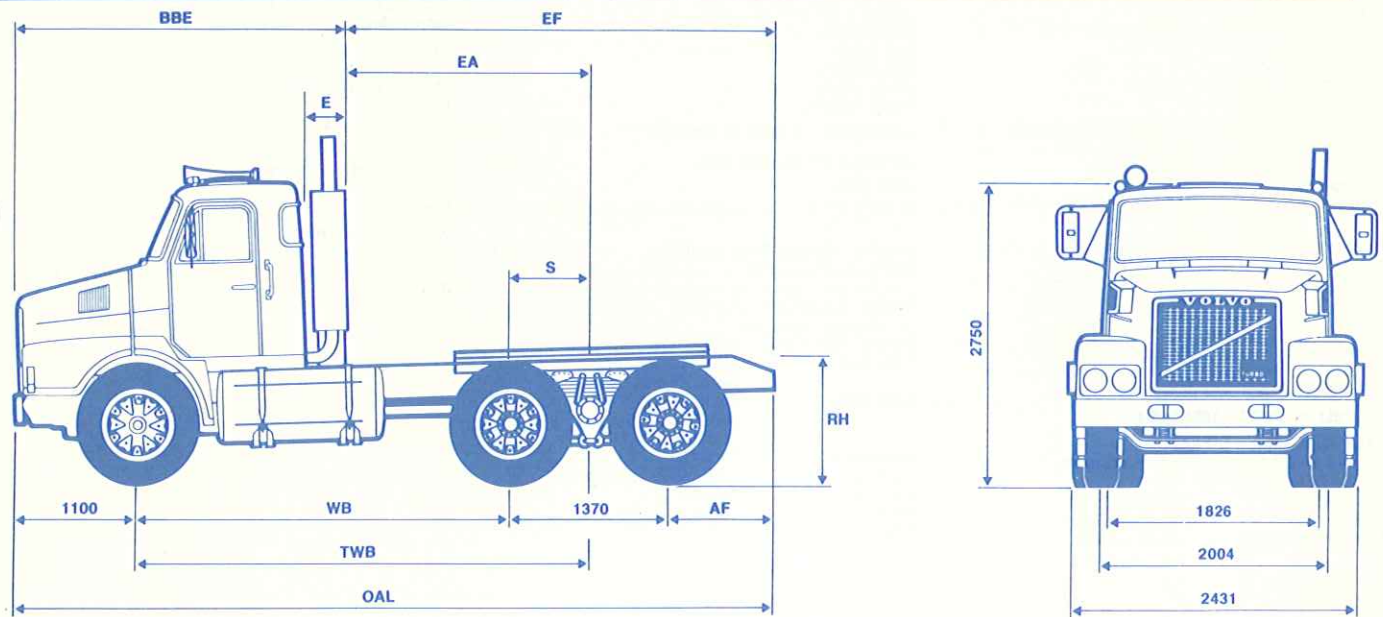


RATINGS:

FRONT AXLE:	6500 KG (TECHNICALLY PERMITTED)
REAR AXLE:	18000 KG (TECHNICALLY PERMITTED)
GROSS VEHICLE MASS (GVM):	23060 KG WITH 10.00x20 TYRES 24000 KG WITH 11Rx22.5 STEEL RADIAL TYRES
GROSS COMBINATION MASS (GCM):	65000 KG WITH CTEV87 81000 KG WITH CTEV87 ON APPLICATION APPROVAL 115000 KG WITH CTN 372

NOTE:- AXLE RATINGS ABOVE REFER TO VOLVO AXLES AND SUSPENSIONS.
RATINGS FOR OTHER AXLES ON APPLICATION.



CHASSIS DIMENSIONS MM

		BGT18/RT380 (Tractor)	BGT18/RT380 (Platform)	R102W	BGT18/RT380
WB	Wheelbase	3800	3800	3800	5800
TWB	Theoretical Wheelbase	4485	4485	4460	6485
BBE	Bumper back of exhaust	2974	2974	2974	2974
E	Back of cab to back of exhaust	374	374	374	374
EA	Back of exhaust to C.L. bogie	2611	2611	2586	4611
EF	Back of exhaust to end frame	4151	4366	4151	8486
AF	Rear overhang	855	1070	905	3190
OAL	Overall length	7125	7340	7125	11460
RH	At centre bogie - Laden	1069	1001	992	1001
	- Unladen	1064	1056	1042	1054
Turning Circle	Kerb to kerb	15420	15420	15420	21700

Note RH to top of turntable "T" profile for WB 3800mm + 5800mm

S = Centre of Axle to load centre of gravity. This calculation is dependent on individual truck tare weight: after optional equipment is fitted and fuel tanks to maximum capacity. This figure should always be calculated in acc. with the salesman's manual.

CHASSIS WEIGHTS KG

	BGT18	BGT18	R102W	BGT18
Front axle	3872	3872	3872	4036
Rear bogie	3696	3736	3255	4118
Total chassis weight	7568	7608	7127	8154

Note 1. Chassis weight includes: cab, SR62 gearbox, CTEV 87 rear axle, 10.00x20 tyres, oil and water, but no fuel or spare wheel.
2. *Tare Weights shown are approximate

ADDITIONAL EQUIPMENT WEIGHT - KG

	Front	Rear	Total
Fuel Tanks (Full) (390 litres)			
3800 w/base	+217	+106	+323
5800 w/base	+250	+73	+323

STANDARD EQUIPMENT

ENGINE TD121G

Six cylinder four stroke direct injection turbo-charged diesel engine fitted with exhaust pressure regulator (exhaust brake) and starting heater.

Capacity:	12 litres
Bore:	130.175 mm
Stroke:	150 mm
Compression Ratio:	14.2:1
Oil Capacity:	38 litres
Cooling System Capacity:	50 litres
Exhaust:	Single outlet vertical silencer mounted on left side

Air Cleaner:

Dual element type with cyclone pre-cleaner

Economy Speed Range:

1200 to 1800 rpm.

Net ISO/SAE output:

242 kw (330 hp metric) @ 2050 rpm

Net ISO/SAE torque:

1300 NM @ 1300 rpm

Net output and torque according to ISO 1585, SAE J1349. Smoke requirements according to ECE Reg 24, US Federal Register, Swedish Norms and Australian Design Rule 30.

CLUTCH-KF215F

Twin dry plate. Hydraulic with air servo operation.

Total Area:	2650 sq cm
Clutch Plate Diameter:	356 mm
Pressure Plate Diameter:	381 mm

GEARBOX - SR62

8 speed fully synchromesh range change gearbox with splitter to give 16 forward speeds. Air operated splitter and range control mounted on gear shift knob.

Oil Capacity:

14.7 litres

Ratios:

1st	11.22/9.46:1
2nd	7.84/6.61:1
3rd	5.50/4.64:1
4th	3.93/3.31:1
5th	2.86/2.41:1
6th	2.00/1.68:1
7th	1.40/1.18:1
8th	1.00/0.84:1
Reverse	10.29/8.67:1

Provision for rear mounted power take-offs. Oil cooler fitted as standard, on R.H. side of gearbox.

PROPELLOR SHAFT - 1800 SERIES

AXLE-REAR BOGIE - CTEV87

Volvo single reduction tandem drive with power divider lock and diff locks in each axle.

Capacity:

26000 Kg.

Ratios:

4.30:1, with SR62

Oil Capacity:

Front diff. 20 litres
Rear diff. 9 litres

CAB - 1500 MARK II

Model: MH

Construction: Insulated, steel, three man cab. Impact tested with non-burst doors and tilting fibreglass bonnet/fender unit. Laminated windscreen. Fully sprung, adjustable driver's seat. Thermostat controlled heater/demister, opening quarter vents and roof vent. Intermittent two speed wipers, single air horn, 4 marker lamps. Fire extinguisher. Radio and C.B. antennae bases and leads fitted to cab roof.

Instrumentation: Electronic speedometer, tachometer, fuel and water temperature gauges, engine oil and air pressure gauges, voltmeter. Warning lamps for high water temp, low water level; low air pressure; low oil pressure; power divider; diff lock; high beam; blocked air cleaner; starter element; park brake and gearbox overdrive. Lap seat belts.

Cab: Choice of colours, crystal white, Volvo red, chrome yellow, arnhem ivory, soft blue.

Chassis colour: Grey

FRAME - RAM 3

Steel rolled channel section with cold riveted crossmembers. Tapered frame ends on tractor units.

Frame Width:	800 mm
Web Height:	273 mm
Web Thickness:	7 mm
Flange Width:	85 mm
Flange Thickness:	13 mm

WHEELBASE - STANDARD 3800 mm

See option list, for other sizes.

FUEL TANK

Single aluminium tank, of 390 litres capacity mounted on L.H. side. Aluminium cab steps mounted off fuel tank.

BRAKES - SYSTEM TYPE: K-BROMS

Service: Compressed air "S" cam with separate circuits for front and rear. Hand control for trailer brakes.

Parking: Air operated spring brakes operating on steering axle and first driving axle.

Exhaust Brake: Electro-pneumatic operated by foot switch.

Brake Size: Front, 413x152 mm
Rear, 394x203 mm

Brake Area: Front, 2415 cm²
Rear, 6100 cm²
Total, 8515 cm²

Compressor:

Capacity: 375 l/min at 2000 rpm

Pressure:

700 kPa

Working Pressure:

650 kPa - 790 kPa

Reservoir Capacity:

2x25 litre, 1x30 litres, 1x50 litres.
Total 130 litres.

SUSPENSION - FRONT

Parabolic leaf springs with shock absorbers and hollow rubber springs. Anti-roll stabilizer bar.

Spring Type:	FFJ-P2
Length:	1750 mm
Width:	100 mm
No. of leaves:	3
Capacity:	6500 kg

SUSPENSION - REAR BOGIE

Volvo single point inverted multi-leaf spring on centre pivot trunion, for use with Volvo axles only.

Model:	BGT18
Spring Type:	BFJ-K1
Capacity:	18000 kg
No. of leaves:	5
Length:	1400 mm
Width:	100 mm

ELECTRICAL

24 volt system. Four 90 amp/hour 12 volt batteries side mounted on R.H. side chassis with isolation switch.

Alternator:	1300 w (45 amp @ 28 volts)
Battery Capacity:	180 A/hr (at 24 volts)
Starter Motor:	6.5 kw (8.7 hp)

STEERING

Fully integral power steering recirculating ball and nut.

Steering Wheel dia:	500 mm
Ratio:	22.7:1
Turns lock to lock:	5.2 (approx)
Front wheel steering lock angle, inner wheel:	50°

AXLE - FRONT - FAT 6.5

Drop forged I Beam with oil filled hubs.

Capacity: 6500 kg

WHEELS AND TYRES

Six spoke spider hubs with demountable rims and conventional nylon tyres. 11 off tyres and rims supplied.

Rim Size:	7.50x20
Tyre Size:	10.00x20-14 ply front 10.00x20-12 ply rear 10.00x20-14 ply spare

OPTIONAL EQUIPMENT

OPTIONAL GEARBOX - R62

Fully synchromesh 8 speed range change gearbox.

Oil Capacity:	12.4 litres
1st	10.60:1
2nd	7.40:1
3rd	5.20:1
4th	3.93:1
5th	2.70:1
6th	1.89:1
7th	1.32:1
8th	1.00:1
Reverse	9.71:1

Oil cooler standard, on R.H. side of gearbox.

OPTIONAL GEARBOX - SR70

6 speed fully synchromesh range change gearbox with deep reduction crawler and splitter to give 14 forward speeds. Air operator splitter and range control mounted on gear knob.

Oil Capacity:	12.5 litres
Ratios:	Crawl 15.04/12.04:1
1st	10.39/8.34:1
2nd	6.84/5.52:1
3rd	4.42/3.57:1
4th	2.91/2.35:1
5th	1.92/1.55:1
6th	1.24/1.00:1
Reverse-low:	17.12/13.83:1
Reverse-high:	4.79/3.87:1

Provision for side and rear mounted power take-offs. Oil cooler fitted standard.

OPTIONAL AXLES - REAR BOGIE - CTN372

Volvo single reduction tandem drive with planetary hub reduction. Power divider lock with diff. locks in each axle.

Capacity:	26000 Kg
Ratio:	4.12:1, 4.55:1, 5.41:1 with SR70 4.55:1, 5.41:1 with SR62
Oil Capacity:	Front diff. 36 litres Rear diff. 32 litres

Note: only with BGT20 suspension.

OPTIONAL AXLE - REAR BOGIE

Rockwell SSHD single reduction tandem drive.

Capacity:	19970 kg
Ratio:	3.73:1, 4.11:1, 4.63:1 with SR70

Oil Capacity: Front diff. 16 litres
Rear diff. 13 litres

Rockwell SP40G single reduction tandem drive.

Capacity:	18150 Kg
Ratio:	3.55:1, 3.70:1 with SR70 4.44:1, 4.87:1 with SR62

Oil Capacity: Front 16 litres, rear 13 litres

OPTIONAL REAR AXLE RATIOS

	DIFF. RATIO.
SR70/CTEV87	3.56:1, 3.78:1, 4.30:1
SR62/SSHD	4.63:1, 4.87:1
SR62/CTEV87	4.87:1
R62/CTEV87	3.78:1, 4.30:1

OPTIONAL FRAME - RAM 4

Double channel section of same external dimensions as Ram 3 but with an internal "U" section. Standard fitment for WB 4600 mm and above.

Web Thickness:	7 mm + 6 mm
Flange Thickness:	13 mm + 6 mm

OPTIONAL WHEELBASES

The following W.B. variants are available as an option:

3400
4000
4200 *most common choice
4600
5000
5400
*5800

OPTIONAL FUEL TANKS

The choice of sizes is as follows:
390 litre mounted on RH side.

OPTIONAL SUSPENSION - REAR BOGIE

Hendrickson suspension with steel walking beam and semi-elliptical leaf springs, for use with Rockwell axles only.

Model:	RT380
Capacity:	17240 kg
Thickness:	4x13 mm, 7x11 mm

OPTIONAL SUSPENSION - REAR BOGIE

Volvo single point inverted multi-leaf spring on centre pivot trunion, for use with Volvo axles only.

Model:	BGT20
Spring Type:	BFJ-K1
Capacity:	20000 kg
No. of leaves:	8
Length:	1400 mm
Width:	100 mm
Note:	must be used with RAM4.

OPTIONAL SUSPENSION - REAR BOGIE

Reyco 4 spring with centre rocker, four torque rods (Two each axle).

Model:	R102W
Spring length:	1000 mm
Width:	76 mm
Leaves/thickness:	13x10 mm
Capacity:	18.150 kg (Only with SP40G)

OPTIONAL WHEELS AND TYRES

Six spoke spider hubs with demountable rims and steel radial tyres. 11 off tyres and rims supplied.

Rim Size:	8.25x22.5
Tyre Size:	11R 22.5 tubeless 16 ply.

OPTIONAL ACCESSORIES

Thermostatic fan
Stereo FM/AM. Radio/Cassette player with speakers
Choice of side mounted P.T.O. for SR70
Choice of rear mounted P.T.O.
Choice of combination P.T.O./pump
Choice of turntables for tractors
Tractor air/electrical connection kit for trailers
Choice of rear mudguards with mudflaps fitted
Air dryer for brake system
Keinzle 7 day tachograph
Exterior sunvisor
Windscreen stoneguard
Aluminium bull bar
Integrated air conditioning (red dot)

RECOMMENDED RETAIL PRICE LIST - JANUARY 1985

CODE NO.		PRICE	APPROX. WEIGHT
B	STD VEHICLE AS PER SPECIFICATION SHEET	\$99,131.00	7,568 kg

CODE NO.	OPTIONAL EQUIPMENT	PRICE		APPROX. WEIGHT	
		+	-	+	-
B431B B431F	Optional gearbox - Volvo R62 - Volvo SR70	TBA \$2,830.00	TBA		65 kg 30 kg
B465C B465G B465F	Optional axles - Volvo CTN372 (Only with BGT20 "T" ride) - Rockwell SSHD - Rockwell SP40G	\$3,240.00 \$2,300.00 \$ 500.00		251 kg	14 kg 132 kg
B466A B466B B466E B466H B466C B466F B466J B466L B466M B466N B466P B466Q B466R B466S	Optional axle ratios - Volvo 3.56:1 - Volvo 3.78:1 - Volvo 4.30:1 - Volvo 4.87:1 - Volvo 4.12:1 (only CTN372) - Volvo 4.55:1 (only CTN372) - Volvo 5.41:1 (only CTN372) - Rockwell 3.55:1 - Rockwell 3.70:1 - Rockwell 3.73:1 - Rockwell 4.11:1 - Rockwell 4.44:1 - Rockwell 4.63:1 - Rockwell 4.87:1	No charge No charge No charge No charge No charge No charge No charge No charge No charge No charge No charge No charge No charge No charge No charge	No charge No charge No charge No charge No charge No charge No charge No charge No charge No charge No charge No charge No charge No charge No charge		
B805A B805B B805C B805D B805E	Std. cab colours - Crystal White - Volvo Red - Chrome Yellow - Arnhem Ivory - Soft Blue	No charge No charge No charge No charge No charge	No charge No charge No charge No charge No charge		
	Optional Cab Colour - All colours shown on Dulux colour card as optional colours are available in enamel by quoting paint number shown on card	\$ 216.00			
B807A B807B B807C B807D B807E	Chassis Colours - Brown - Black - Red - Grey - Yellow	\$ 190.00 \$ 190.00 \$ 190.00 No charge \$ 190.00	No charge		
B808B B808D B808F B808G B808H B808J B808L B808M B808N B808P B808Q B808R B808S	Paint Application System - Two tone STD colour-enamel (441) - Multi-tone STD colour-enamel (441) - Single tone STD or Opt. colour-Acran (426) - Two tone STD or Opt. colour-Acran (426) - Multi-tone STD or Opt. colour-Acran (426) - Two tone with separate flash - any colour Acran - Single tone metallic (Acran) - Two tone metallic (Acran) - Multi-tone metallic (Acran) - Two tone metallic with separate flash (Acran) - Special colour for chassis - Special colour for chassis, rims, spiders - Special colour for rims and spiders only	\$ 225.00 \$ 542.00 \$ 492.00 \$ 652.00 \$1,004.00 \$1,163.00 \$ 926.00 \$1,007.00 \$1,241.00 \$1,400.00 \$ 190.00 \$ 382.00 \$ 153.00			
B711B	Optional Frame - RAM 4 Heavy duty chassis rails	No charge	No charge		

RECOMMENDED RETAIL PRICE LIST - JANUARY 1985

CODE NO.	OPTIONAL EQUIPMENT	PRICE		APPROX. WEIGHT	
		+	-	+	-
B710E B710H B710J B710M B710P B710R B710T	Optional wheelbase - 3400mm - 4000mm - 4200mm - 4600mm - 5000mm - 5400mm - 5800mm	\$ 240.00 \$ 897.00 \$ 930.00 \$1,001.00 \$1,674.00 \$1,825.00 \$1,894.00		75 kg 105 kg 108 kg 392 kg 447 kg 586 kg	28 kg
B234E	Optional fuel tanks - 390 litre RH side (Option B313B or B313C to be used)	\$1,337.00		68 kg	
B655A B655L B655H	Optional rear suspensions - Volvo BGT20 - Reyco R102W - Hendrickson RT380	No charge No charge \$ 247.00	No charge No charge	84 kg	309 kg 59 kg
B313B B313C	Optional Battery Box - Mounted across chassis - Mounted outboard R.H. side chassis, to rear of fuel tank	\$ 23.00 \$ 23.00		4 kg TBA	
B771A	Optional Rims - 8.25 x 22.5 - For use with 11R22.5 radial tyres	\$ 469.00		100 kg	
	Tyre Brands - See separate price list for range available				
B561A B571A B571B B571C B862D B263F B826A B826B B826C B481C B481D B481F B481E B481P B481G B481H B481J B481K B391D B891G B291H B383B B922A B922B B922C B874C	Optional accessories - Air dryer for brake system - Air/electrical kit Pogo + push on connectors - Air/electrical kit Pogo + gladhand connectors - Air/electrical kit mounting with connectors behind turntable - Bull bar (aluminium) - Fan (thermostatic) - Mudguards (rear) plastic + mudflaps for tractor only - Mudguards (rear) aluminium + mudflaps for tractor only - Mudguards (rear) 1/4 aluminium + mudflaps - PTO Rear BKU6059 - PTO Rear BKU6123 - PTO Rear BKU7080 - PTO Rear BKU7116 - PTO Side SKU7160 - PTO Rear BKUH6039 - PTO Rear BKUH6058 - PTO Rear BKUH7039 - PTO Rear BKUH7058 - Radio/cassette AM/FM stereo with speakers - Sunvisor (exterior) - Stoneguard for windscreen - Tachograph 7 day Keinzle (3 function) - Turntable Holland HAP 40 - Turntable Franklin Ball Race - Turntable Carrimore Top "C" - Integrated air conditioning (Red Dot)	\$ 482.00 \$ 398.00 \$ 396.00 \$ 176.00 \$1,852.00 \$ 323.00 \$1,393.00 \$1,522.00 \$ 747.00 \$ 286.00 \$ 753.00 \$ 846.00 \$ 878.00 \$1,490.00 \$1,310.00 \$1,371.00 \$1,413.00 \$1,526.00 \$ 712.00 \$ 167.00 \$ 214.00 \$ 442.00 \$1,798.00 \$3,695.00 \$1,522.00 \$1,035.00		20 kg 7 kg 7 kg 3 kg 84 kg 6 kg 62 kg 79 kg 11 kg 9 kg 20 kg 26 kg 27 kg 24 kg 30 kg 30 kg 34 kg 35 kg 11 kg 9 kg 4 kg 1 kg 240 kg 358 kg 115 kg	

These prices are recommended only and may be amended by Volvo Australia Pty. Ltd. at any time.

R.S.P. PRICE 68736.01-85

SALES TAX COMPONENT = 12.9% of recommended retail price

Volvo Australia Pty. Ltd.
(Incorporated in New South Wales)