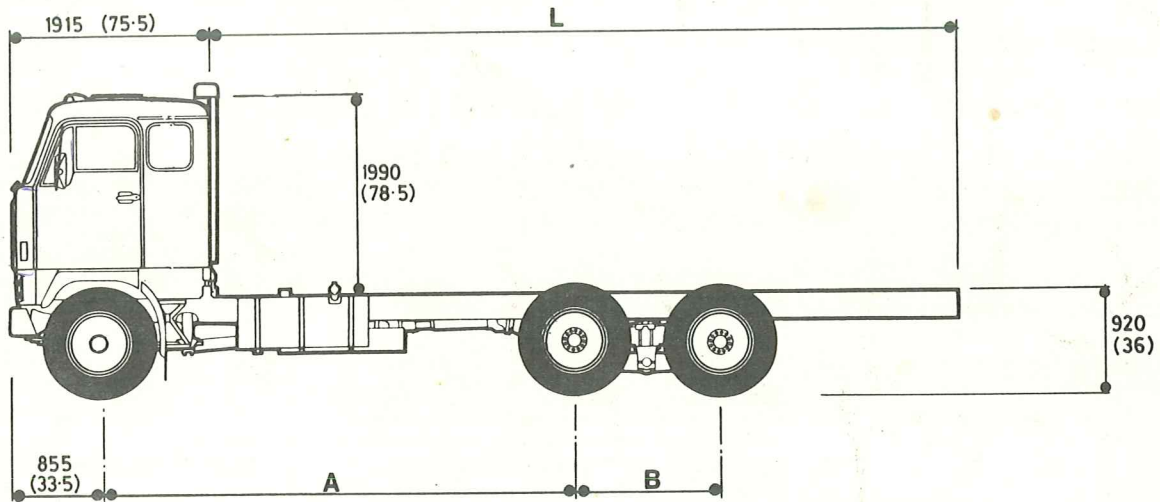


Stephen Waters

Volvo G.89 A



	G 89-4X2 HIGH PERFORMANCE TRACTOR	
A	3500	(138)
L	3538	(140)
TURN CIRCLE	13.2M	(43')
B	—	—
FENDER WIDTH	2483	(98)
REAR TRACK	1840	(72.5)
G.V.W.	19500	(43000)
G.C.W.	52000	(114400)
FRONT TARE	3980	(8850)
REAR TARE	2220	(4900)
TARE	6200	(13750)
FRT. PRESSURE	6500	(14350)
RR. PRESSURE	13000	(28700)
PRICE		

	G 89-6X4V GENERAL PURPOSE TANDEM	
A	3500 (138)	4900 (193)
L	5200 (205)	7750 (303)
TURN CIRCLE	15.4M(50.5')	20M (60.5')
B	1370 (54)	—
FENDER WIDTH	2483 (98)	—
REAR TRACK	1840 (72.5)	—
G.V.W.	26000 (57300)	—
G.C.W.	54432 (120000)	—
FRONT TARE	3890 (8560)	3900 (8580)
REAR TARE	3850 (8460)	4100 (9020)
TARE	7740 (17020)	8000 (17600)
FRT. PRESSURE	6500 (14350)	—
RR. PRESSURE	20000 (44100)	—
PRICE		

	G 89A-6X4R HIGHWAY 6X4 TRACTOR	
A	3100 (122)	—
L	4800 (189)	—
TURN CIRCLE	15.0M (49')	—
B	1280 (50)	—
FENDER WIDTH	2483 (98)	—
REAR TRACK	1810 (71)	—
G.V.W.	20000 (48350)	—
G.C.W.	38600 (85000)	—
FRONT TARE	3910 (8600)	—
REAR TARE	3090 (6800)	—
TARE	7000 (15400)	—
FRT. PRESSURE	6500 (14350)	—
RR. PRESSURE	15450 (34000)	—
PRICE		



ALL WEIGHTS AND DIMENSIONS ARE SHOWN MM OR KG (INCHES OR POUNDS). WEIGHTS ARE ESTIMATES ONLY AND EXCLUDE FUEL. DEPENDING ON OPTIONAL EQUIPMENT USED GCW'S MAY BE INCREASED IN SOME CASES.

Sleeper cab is standard equipment:



All steel, insulated, tilting, sleeper cab
Equipment includes: 2-piece laminated windscreen. Variable speed air operated wipers and electric washers. Dual sprung seats. (Bostrom fully adjustable) thermostat controlled heater, demister opening quarter vents and roof vent.

Instruments include: speedo, odometer, rev counter fuel, oil pressure, temperature, air gauges.

Warning lamps for charge rate, beam, direction, oil pressure, temp., air pressure diff lock, park brake and P.T.O. engagement. Choice of four optional cab colours



R.A.C. Rating: 62 HP
Lubrication System: 6.1 GAL. FORCE FED system and magnetic plug
Block: Alloy cast iron
Heads: Six individual steel/interchangeable
Air Cleaner: Donaldson Cyclopac & Stackpipe Holset
Turbocharger: Output at 37 r/s (2200 r.p.m.)
DIN kW 243 (b.h.p. 330)
SAE kW 243 (b.h.p. 330)
Torque at 22 r/s (1300 r.p.m.)
DIN Nm 1255 (kgm 128/lb.ft. 927)
SAE Nm 1245 (kgm 127/lb.ft. 919)
Bore mm 130.175 (5.125")
Stroke mm 150 (5.91")
Capacity (litres) 12 (732 cu.in.)
Compression ratio 15:1
Six-cylinder, four-stroke Diesel engine with overhead valves and direct injection.
Oil capacity (litres) 27 (47.5 Imp. pints. = 57 US pints.)
Oil cooler
Cooling system capacity (litres) 47 (10.3 Imp. galls. = 12.4 US galls.)

New TD120 Turbo-6 develops 330 hp

